

A

B

C

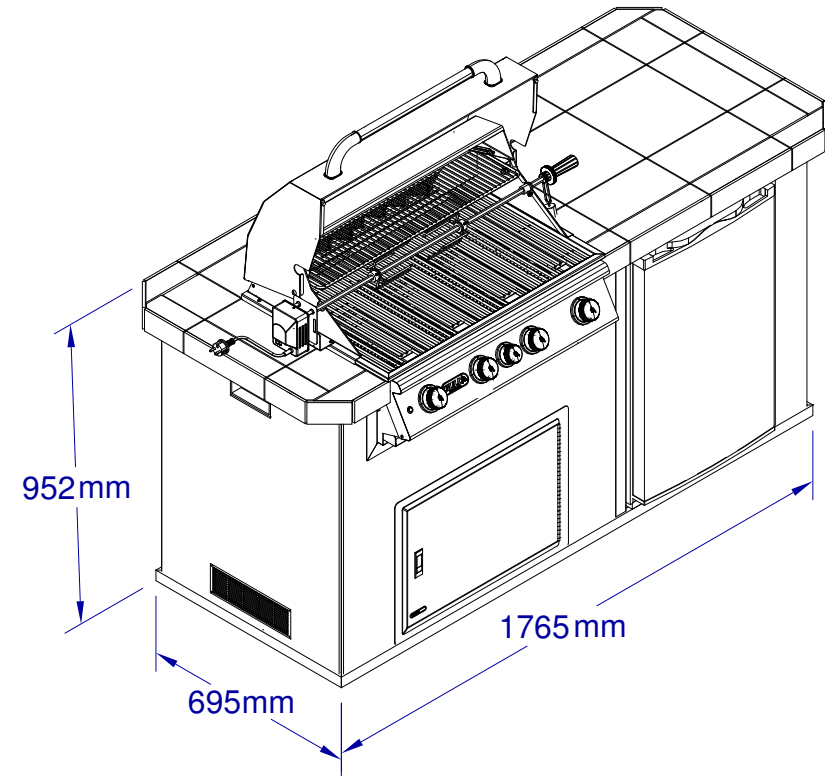
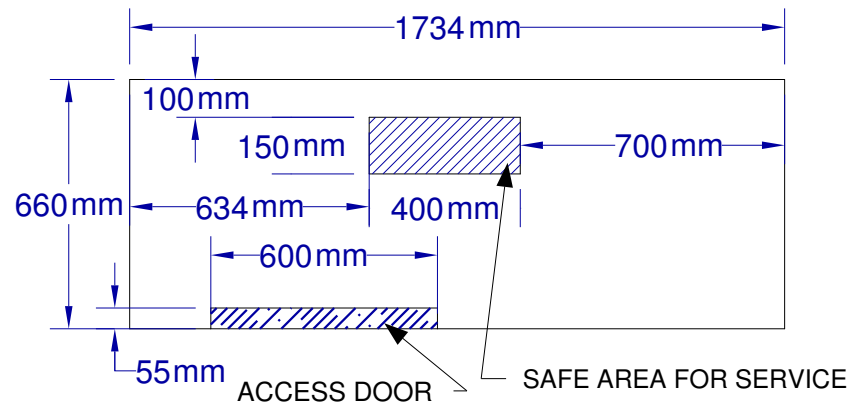
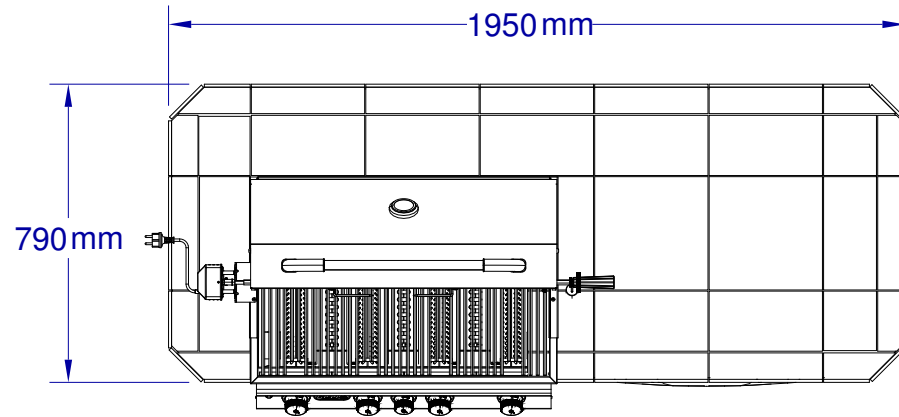
D

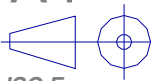


E

F

REVISION HISTORY

ZONE	REV	DESCRIPTION	DATE	APPROVED
------	-----	-------------	------	----------



A4  ISO E	IronCAD 2D drawing 3D file available  Scale: 1:20	General Tolerances acc to: ISO 2768-1 medium	File Name: PQ COME.FUR.icd			Last saved: 01/08/2018 16:06
			Drawn by: ...	Checked by: ...	Approved by: ...	Created Date:
			Description POWER-Q			Sheet No: Rev. 1 (1) ...
						Doc. No: PQ