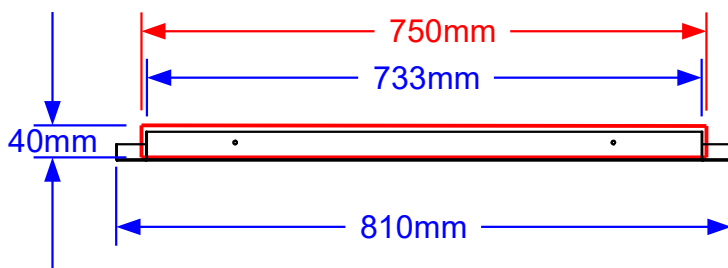
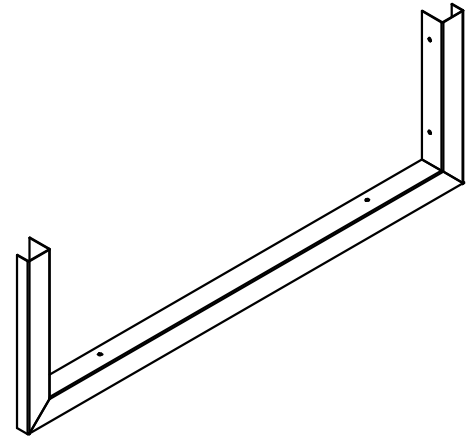




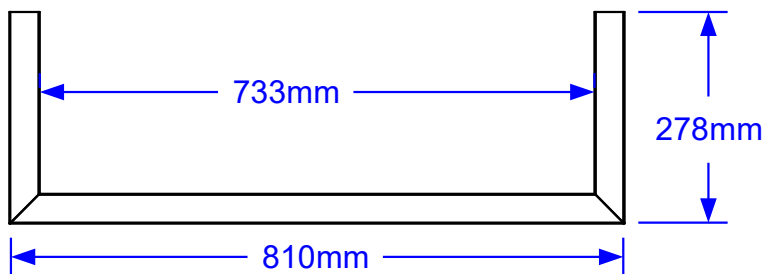
ITEM: #97625  
76CM BAR CENTER FINISHING FRAME



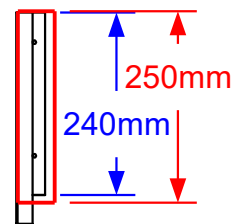
Top View



Isometric View



Front View



Side View

SPEC SHEET NOTES:

1. CUTOUT DIMENSIONS: 740L X 40D X 240H
2. SCALE: 1 : 10 ( Printer page scaling none, do not use fit to printable area option)
3. REVISION: 04/2022