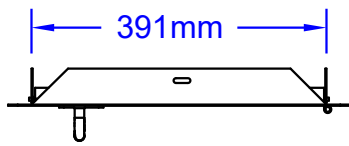
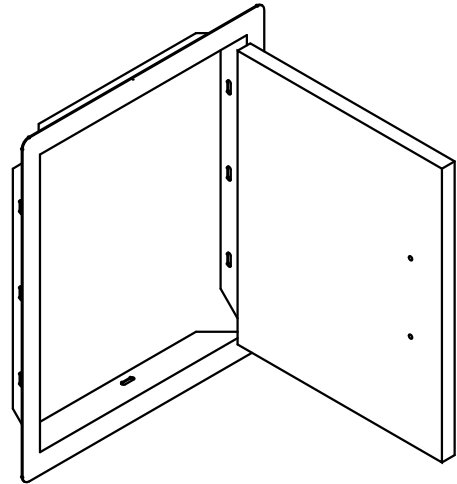




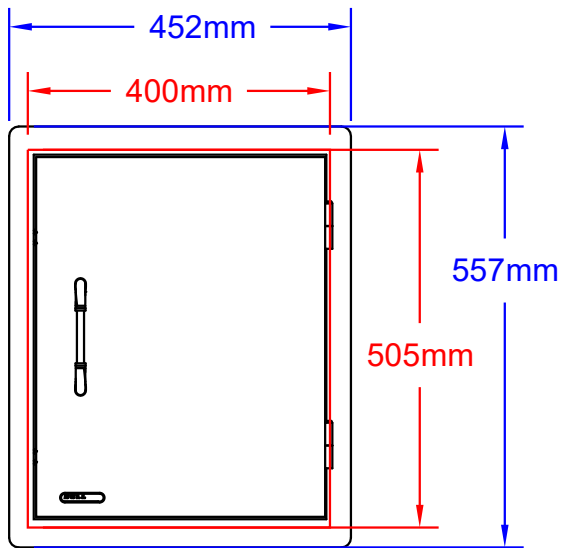
ITEMS: #89975  
RIGHT SWING VERTICAL ACCESS DOOR



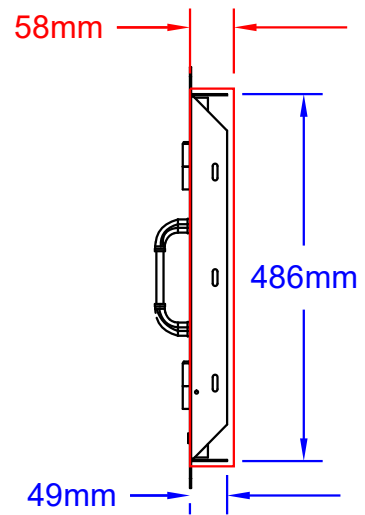
Top View



Isometric View



Front View



Side View

SPEC SHEET NOTES:

1. CUT DIMENSION 400L X 58D X 495H
2. SCALE: 1 : 10 ( Printer page scaling none, do not use fit to printable area option )
3. REVISION: 08/2019