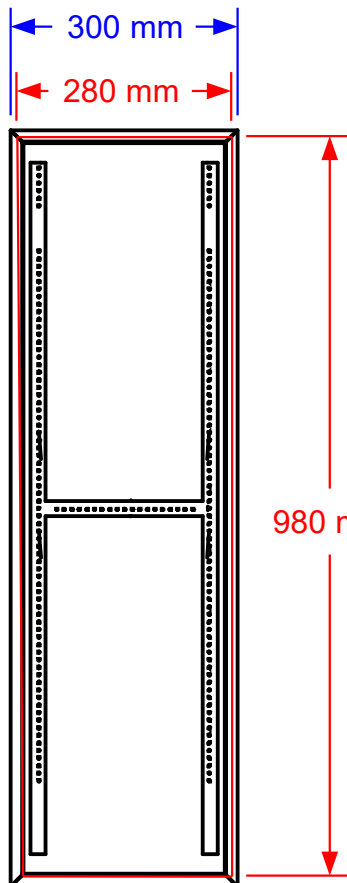
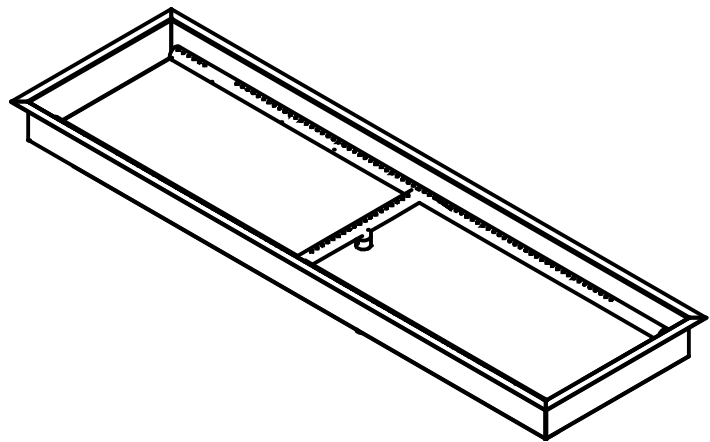




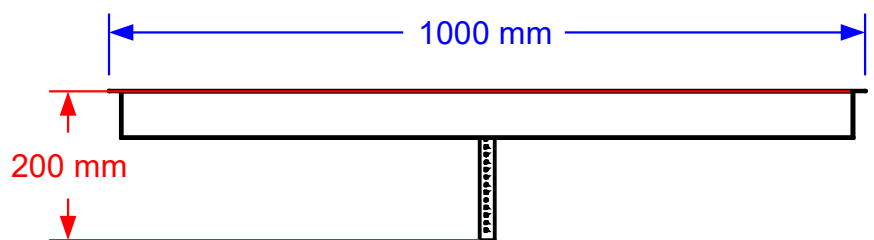
**ITEMS: #69023CE  
RECTANGULAR FIRE PIT**



Top View



Isometric View



Front View

**SPEC SHEET NOTE:**

1. CUTOUT DIMENSIONS : 980L X 280D X 200H
3. SCALE: 1 : 10 ( Printer page scaling none, do not use fit to printable area option)
4. REVISION: 07/2021