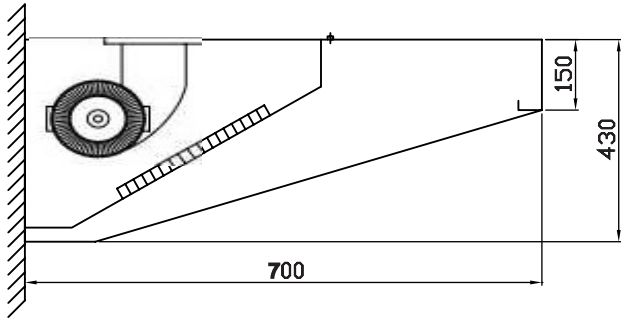
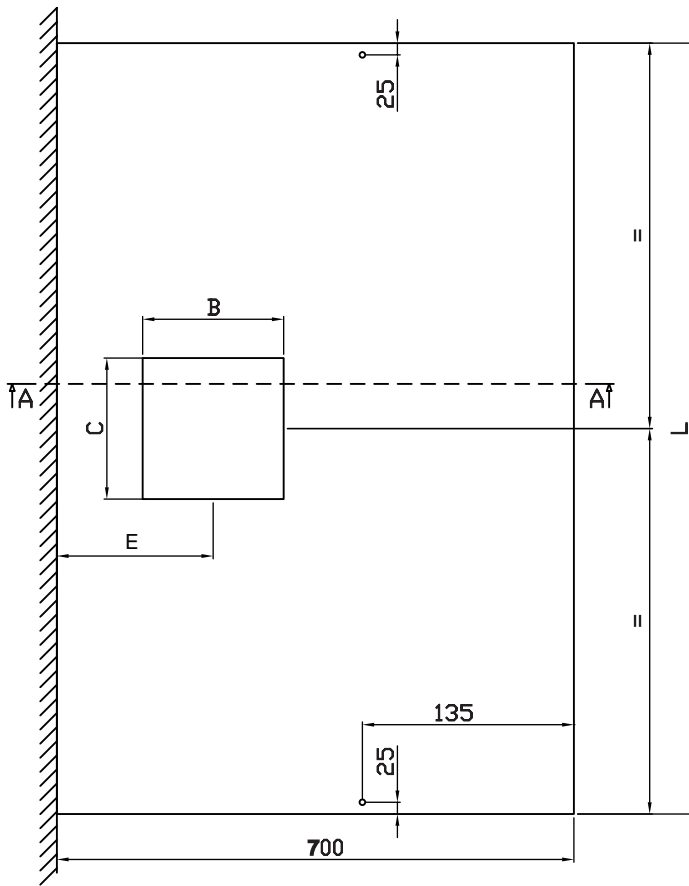


SECTION A-A



PLAN VIEW



Article	Dimensions mm.	Exit section BxC mm.	Distance E mm.	No. filters	HTS mm. H <sub>2</sub> O	Flow m <sup>3</sup> /h	Power Watt	Current cons. Amp.	Vent. VDR
66009CE	700x1000x430h	200x230	240	2	28	700	184	1,8	7/7
66098CE	700x1200x430h	200x230	240	2	28	900	184	1,8	7/7



**ALFA SERIES WALL MOUNTED HOODS WITH FAN depth 700**

Construction made of AISI 304 scotch-brite stainless steel  
 Complete with chains, hooks, tighteners and anchor clamps  
 Perimetral condensate collecting station  
 Labyrinth filter mm. 400x400 and extractable spacers made of AISI 304 stainless steel  
 Square output section with threaded captive screws M6

Issued:  
30/08/2012

Update:  
1/11/2021

Sheet 1 of 1