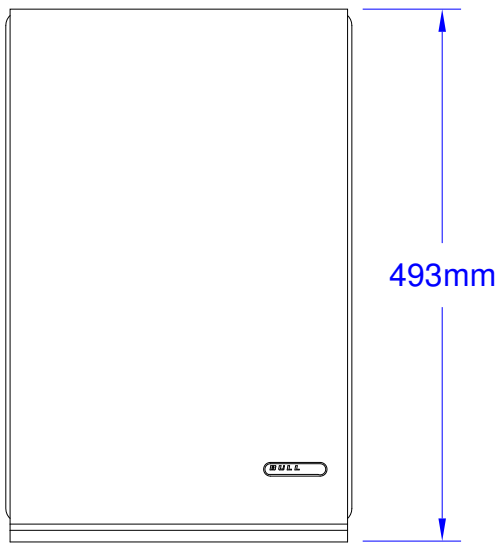
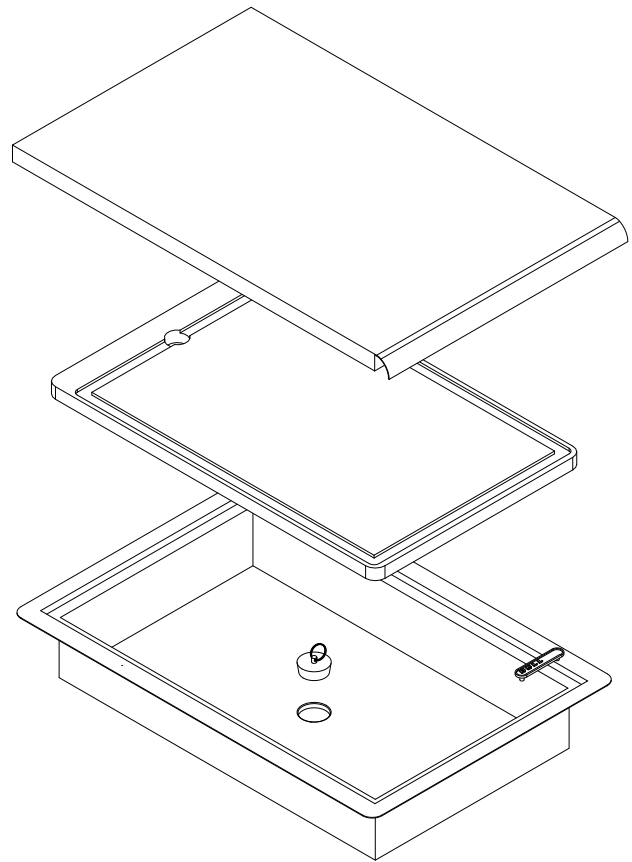




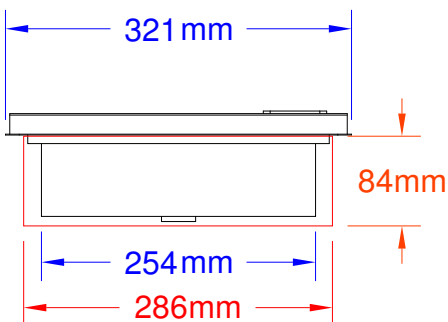
ITEMS: #66007
DROP-IN CUTTING BOARD



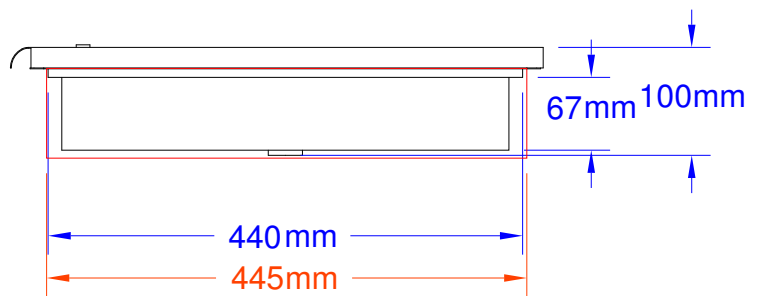
Top View



Isometric View



Front View



Side View

SPEC SHEET NOTES:

1. **CUTOUT DIMENSIONS: 286L X 445D X 84H**
2. SCALE: 1 : 7 (Printer page scaling none, do not use fit to printable area option)
3. REVISION:10/2018