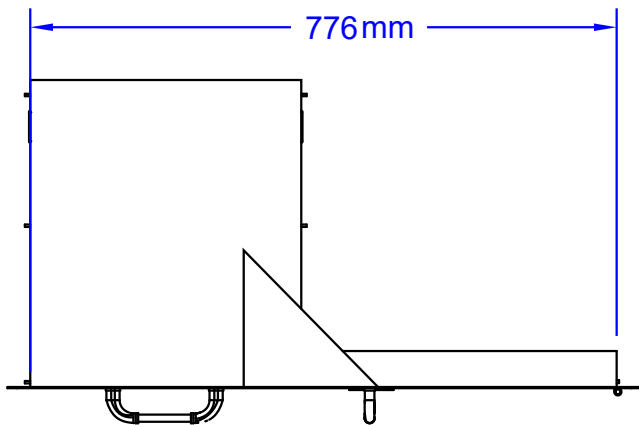
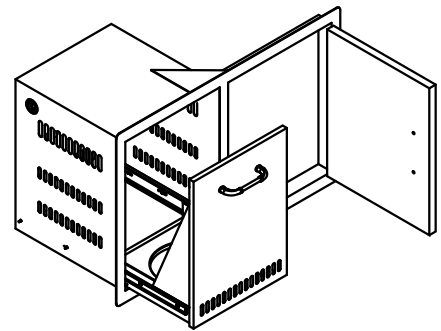




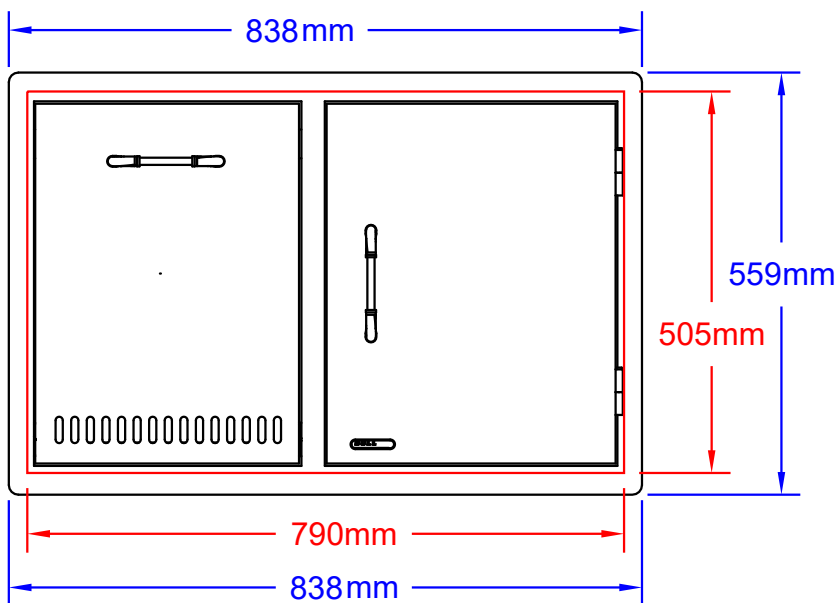
ITEMS: #65784
 GAS TANK DRAWER/DOOR COMBO



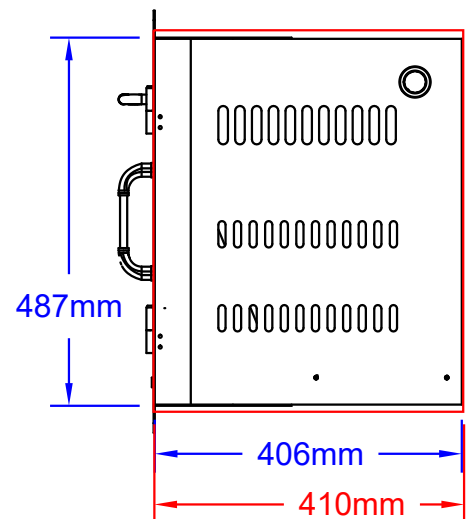
Top View



Isometric View



Front View



Side View

SPEC SHEET NOTES:

1. CUTOUT DIMENSIONS: 790L X 410X 505H
2. SCALE: 1 : 10 (Printer page scaling none, do not use fit to printable area option)
3. REVISION: 07/2018