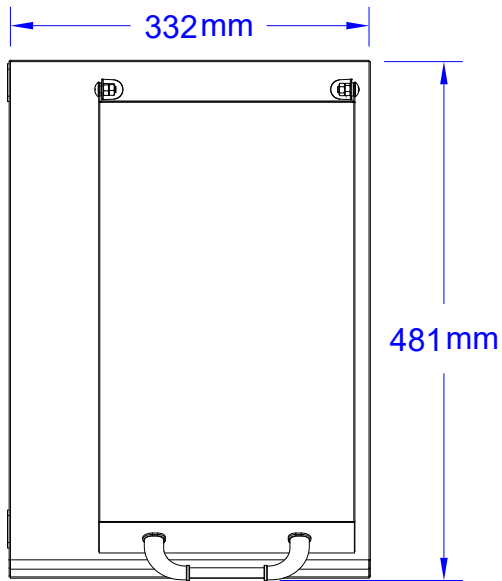
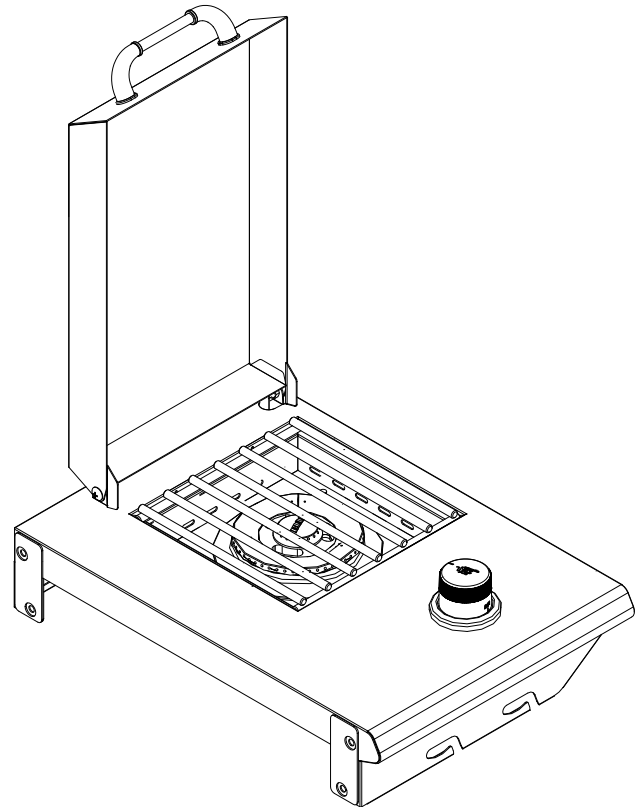




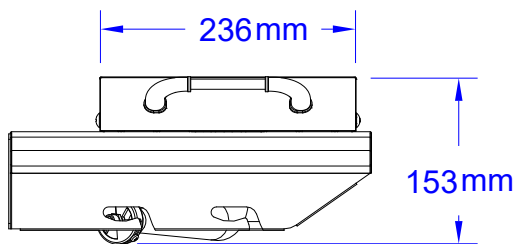
ITEMS: #60010 LP & NG  
SIDE SHELF BURNER



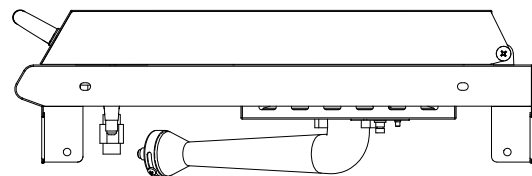
Top View



Isometric View



Front View



Side View

SPEC SHEET NOTES:

1. SCALE: 1 : 7 ( Printer page scaling none, do not use fit to printable area option )
2. REVISION :7/2018