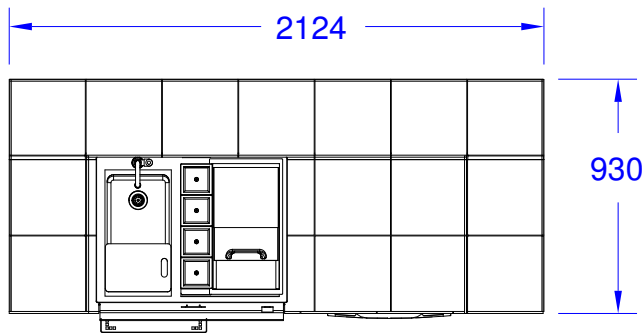
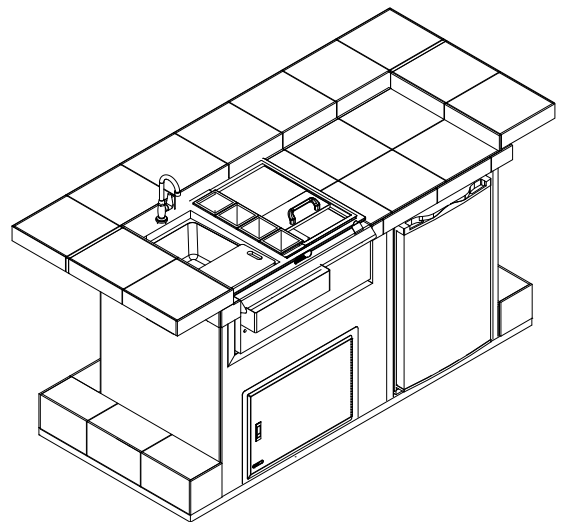




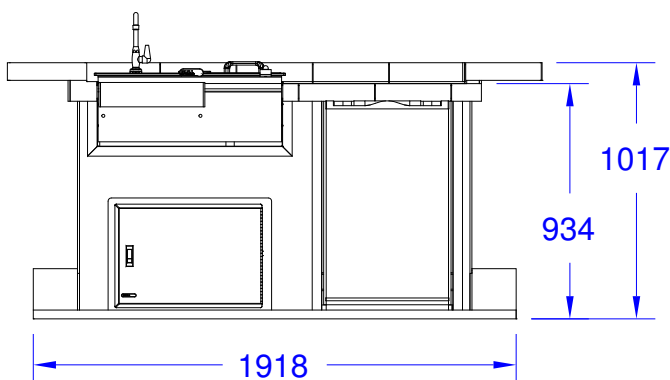
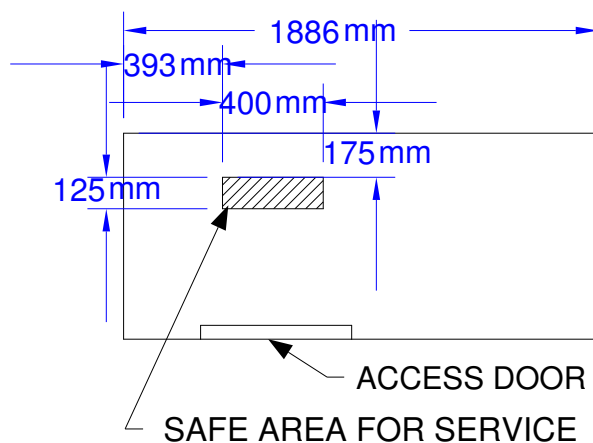
ITEMS: ENTERTAINERS BAR  
 STUCCO #31031, ROCK/GRES #31032



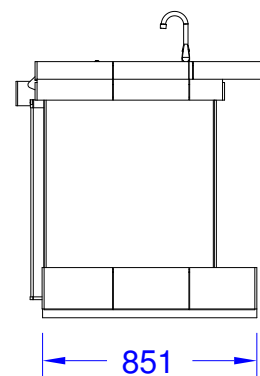
Top View



Isometric View



Front View



Side View

SPEC SHEET NOTES:

1. SCALE: 1 : 30 ( Printer page scaling none, do not use fit to printable area option )
2. VISION: 08/2018