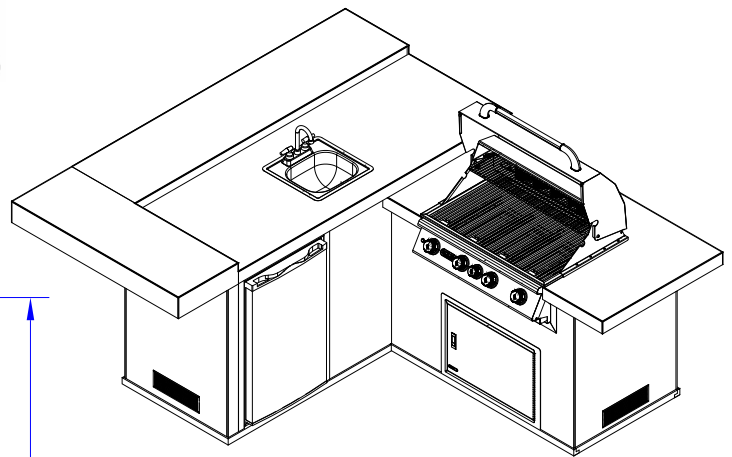
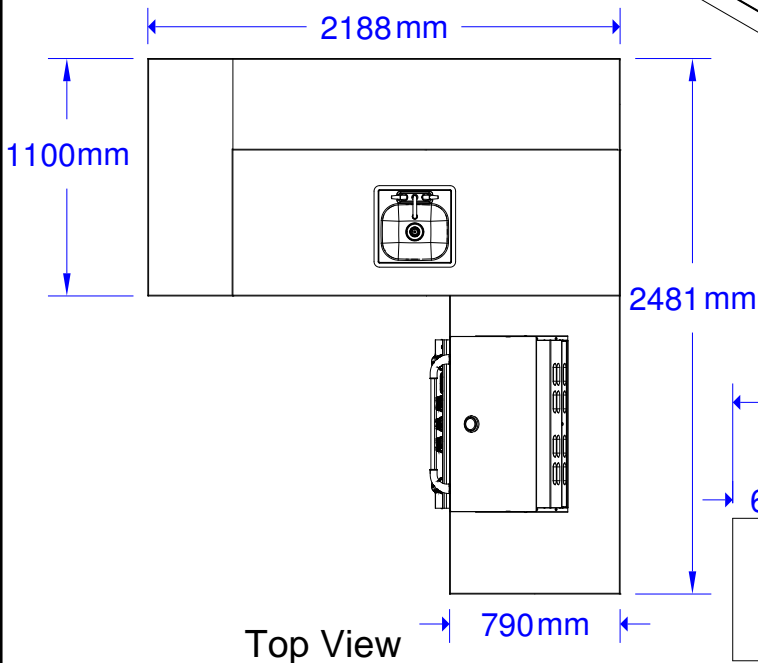




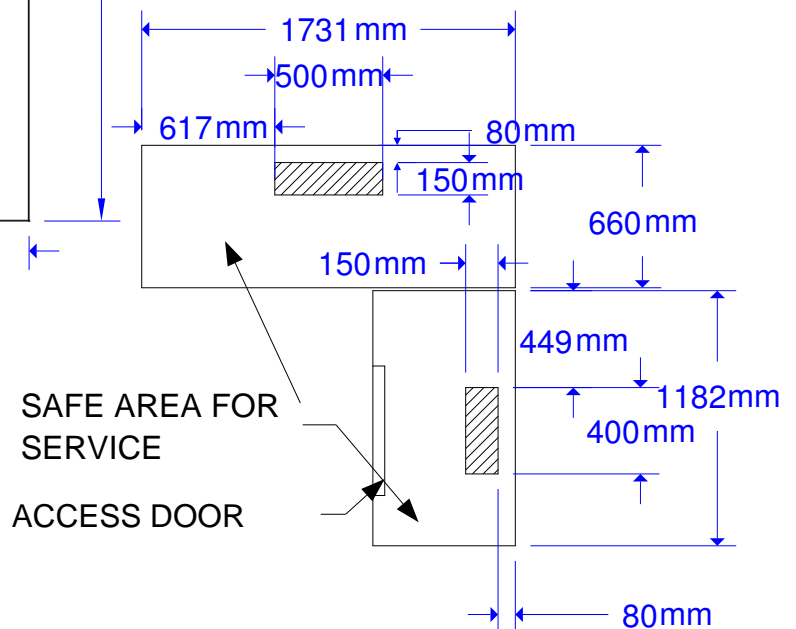
ITEMS: #31022
 STUCCO-JR GOURMET-Q



Isometric View

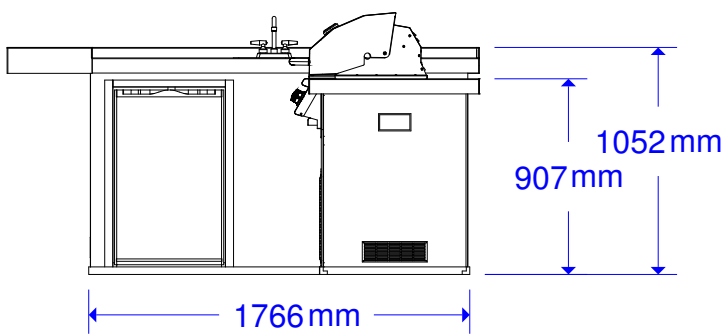


Top View

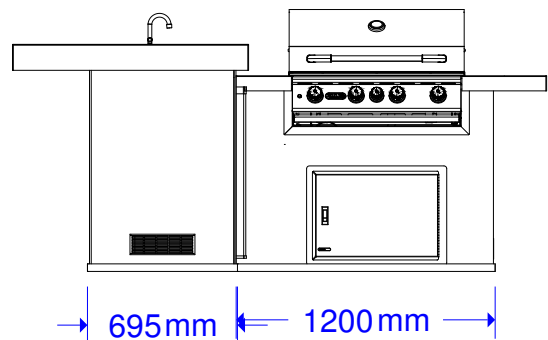


SAFE AREA FOR SERVICE

ACCESS DOOR



Front View



Side View

SPEC SHEET NOTES:

1. SCALE: 1 : 30 (Printer page scaling none, do not use fit to printable area option)
2. VISION: 08/2018