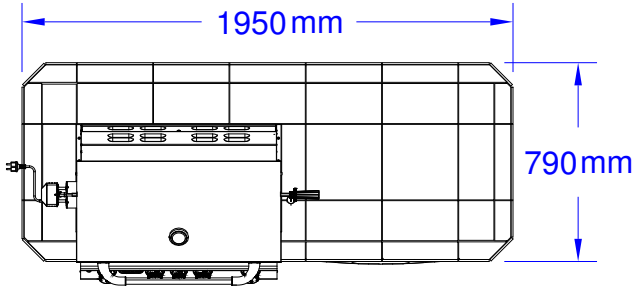
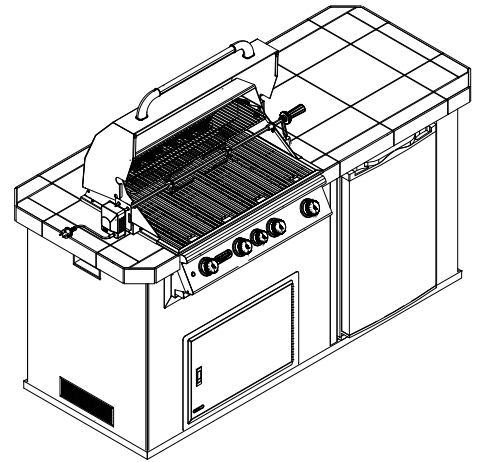




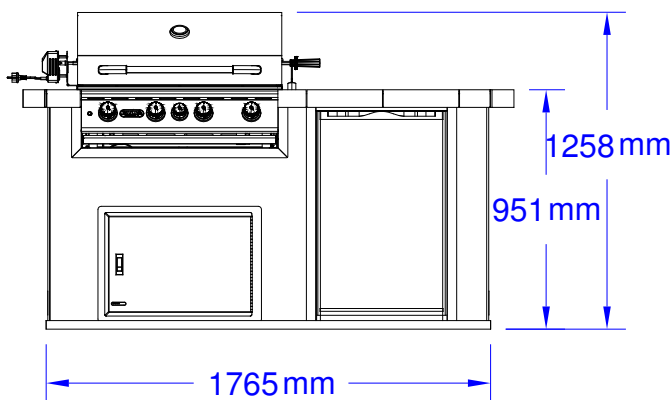
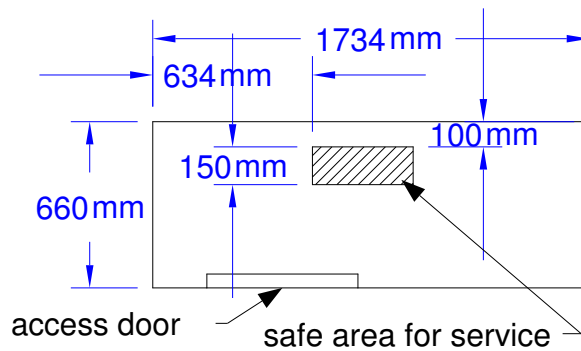
ITEMS: STUCCO #31006
POWER Q



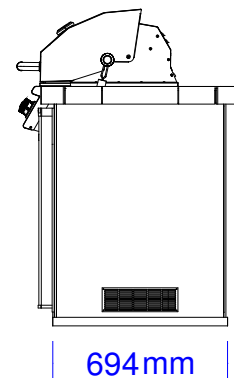
Top View



Isometric View



Front View



Side View

SPEC SHEET NOTES:

- 1. SCALE: 1 : 30 (Printer page scaling none, do not use fit to printable area option)
- 2. VISION: 08/2018