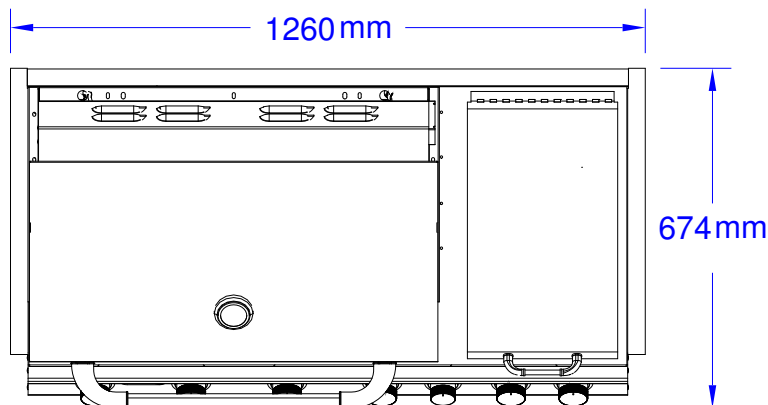
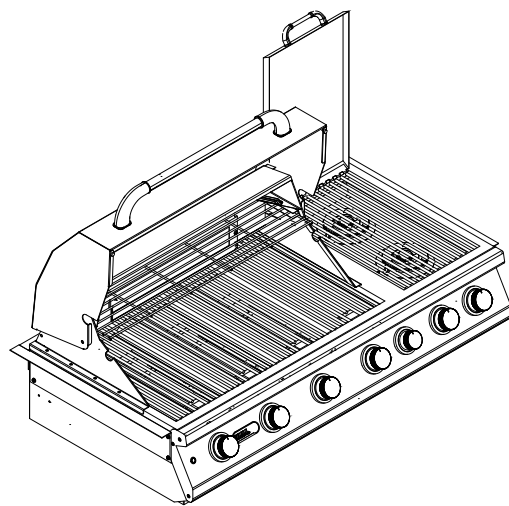




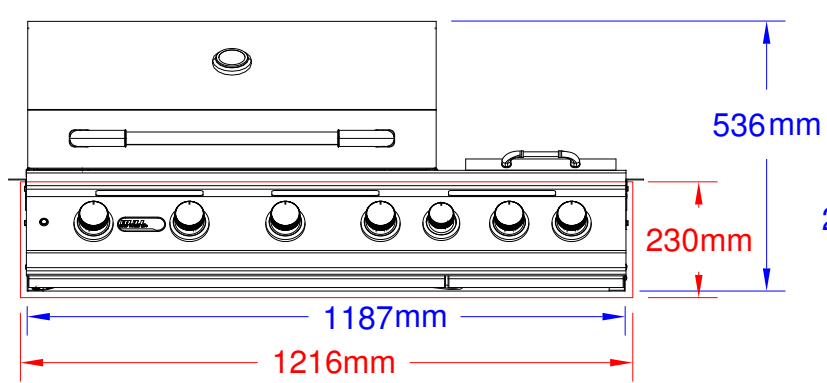
ITEMS: #18248CE LP, #18249CE NG
7 BURNER GRILL



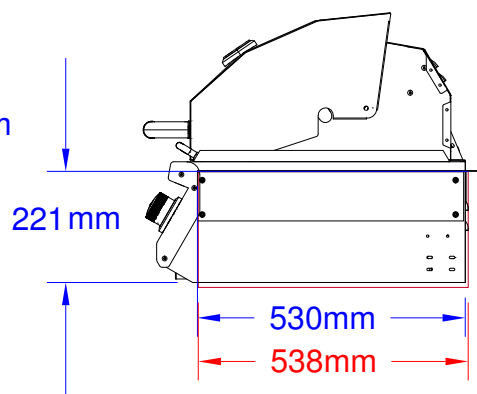
Top View



Isometric View



Front View



Side View

SPEC SHEET NOTES:

- 1. CUTOUT DIMENSIONS: 1216L x 538D x 230H
- 2. SCALE: 1 : 15 (Printer page scaling none, do not use fit to printable area option)
- 3. VISION: 08/2018