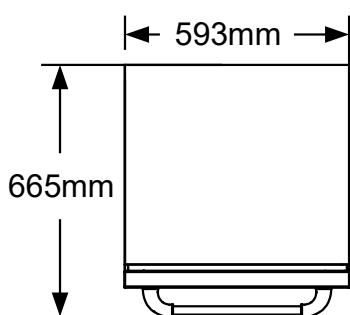
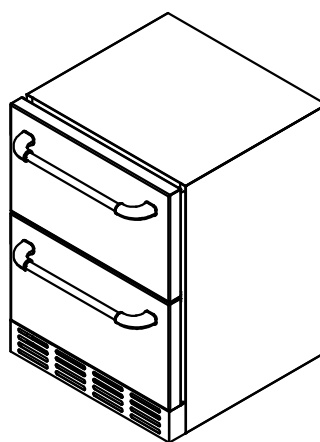




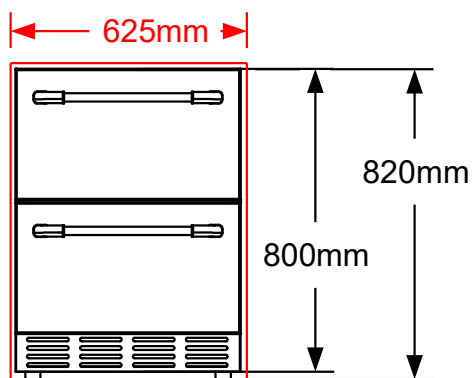
ITEM: #17400
PREMIUM OUTDOOR
DOUBLE FRIDGE



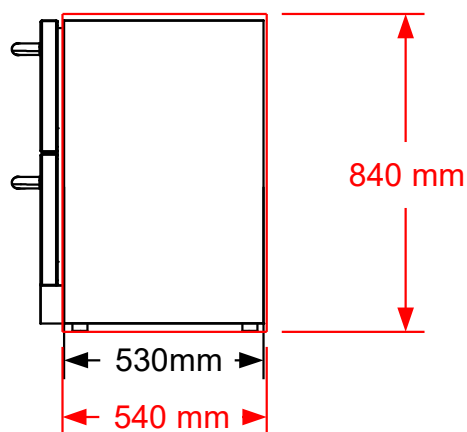
Top View



Isometric View



Front View



Side View

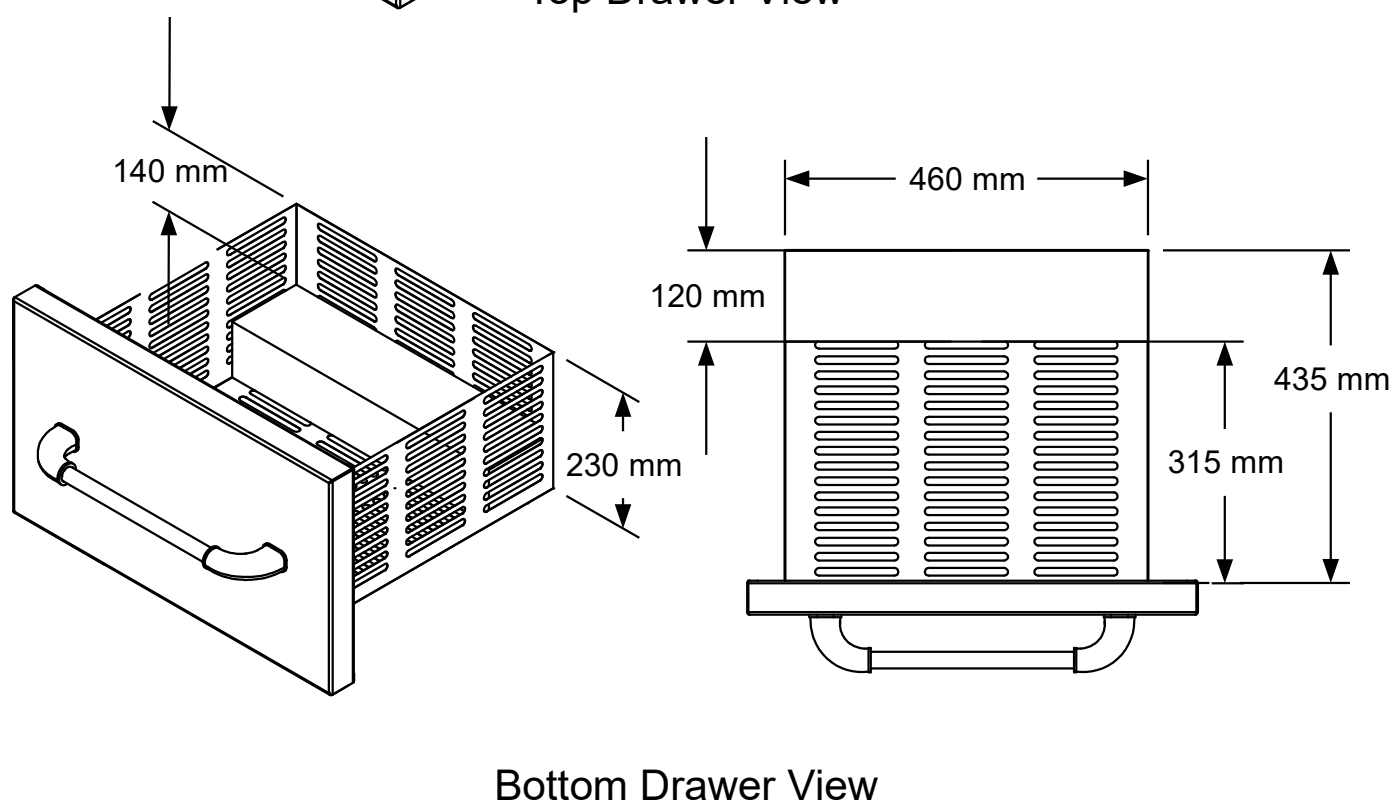
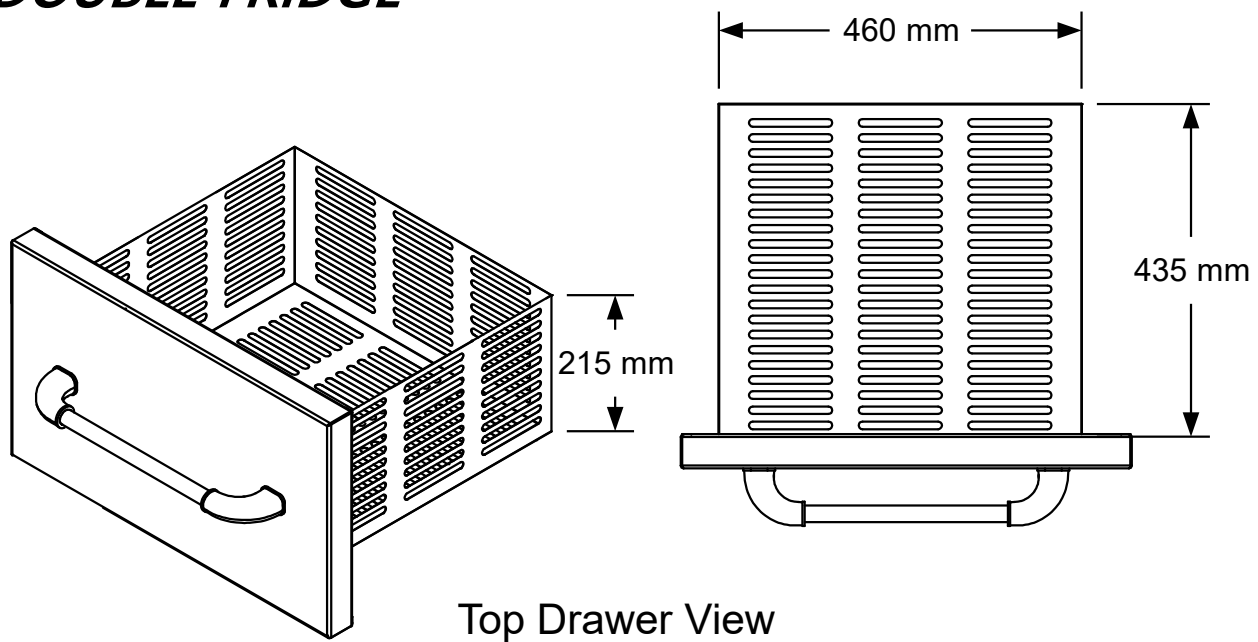
SPEC SHEET NOTES:

- 1. CUTOUT DIMENSIONS: 625L X 540D X 840H
- 2. SCALE: 1 : 20
- 3. REVISION: 07/2021

Printer page scaling none, do not use fit to printable area option



ITEM: #17400
PREMIUM OUTDOOR
DOUBLE FRIDGE



SCALE: 1 : 10

Printer page scaling none, do not use fit to printable area option