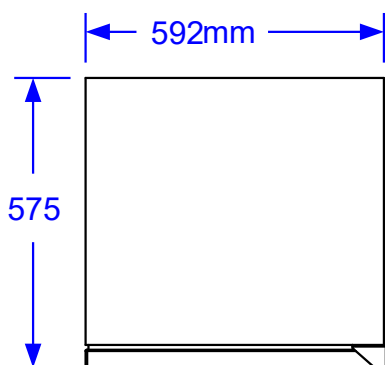
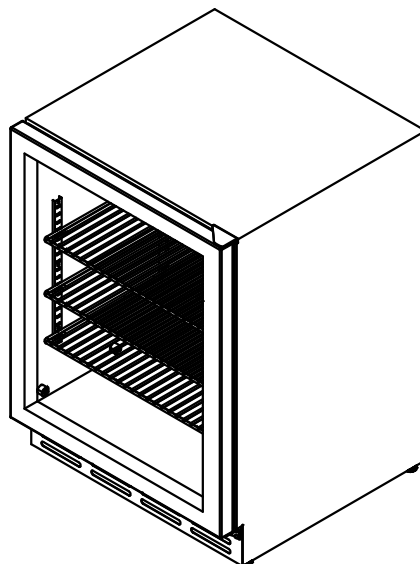




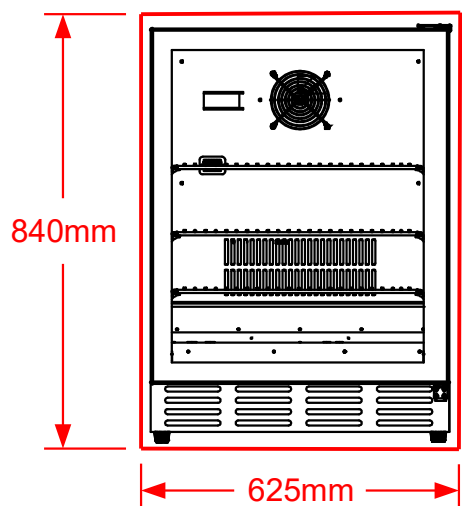
**ITEM: #13100**  
**PREMIUM OUTDOOR**  
**FRIDGE WITH GLASS DOOR**



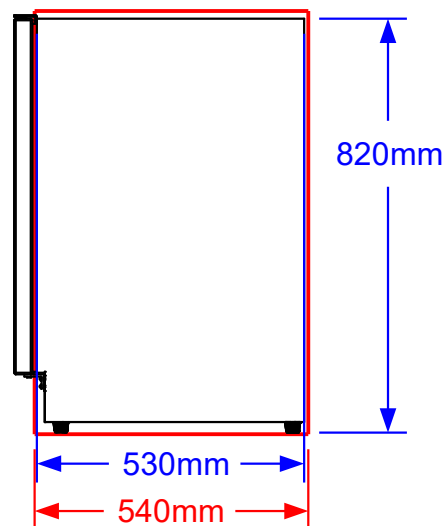
Top View



Isometric View



Front View



Side View

SPEC SHEET NOTES:

1. CUTOUT DIMENSIONS: 625L X 540D X 840H
2. SCALE: 1 : 15
3. REVISION: 09/2021

Printer page scaling none, do not use fit to printable area option