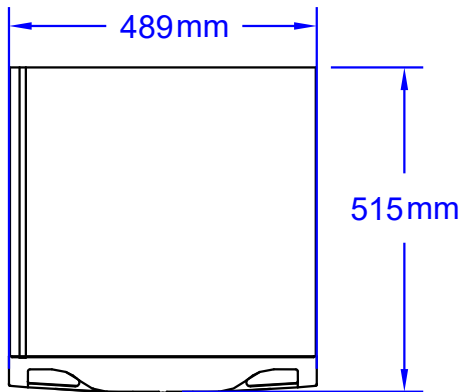
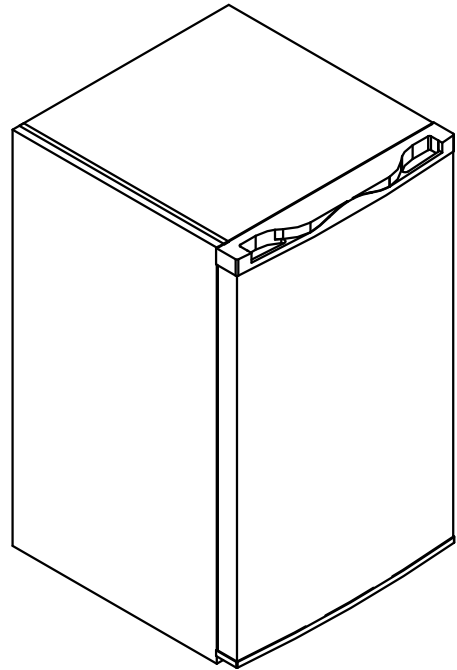




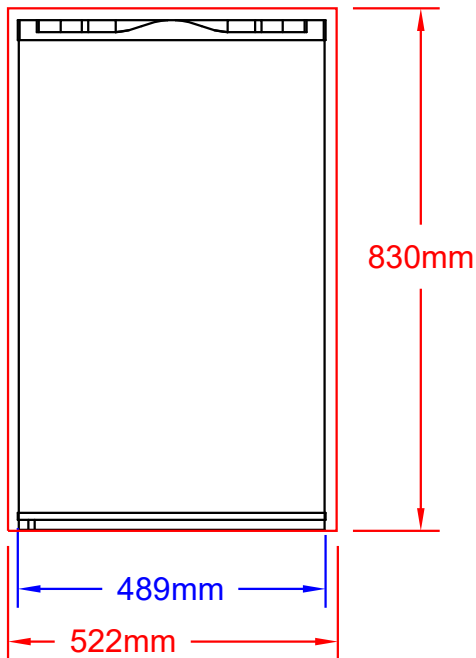
ITEMS:#11002CE
STANDARD FRIDGE



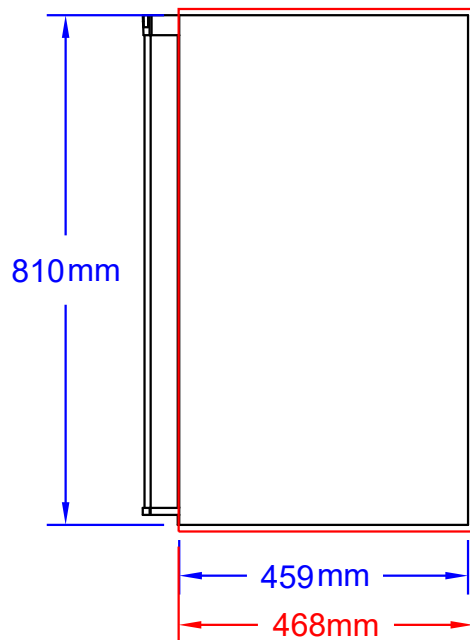
Top View



Isometric View



Front View



Side View

SPEC SHEET NOTES:

1. CUTOUT DIMENSIONS 522L X468D X 830H
2. SCALE: 1:12 (Printer page scaling none, do not use fit to printable area option)
3. REVISION: 07/2018