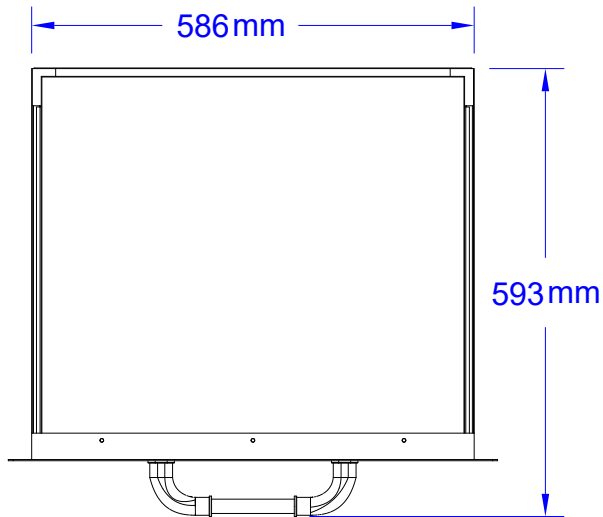
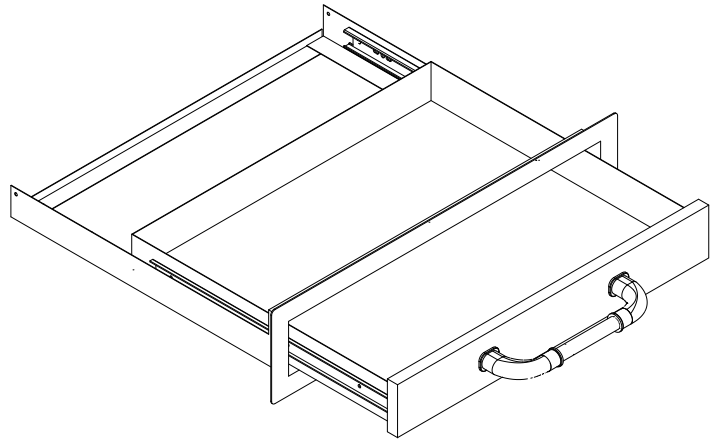




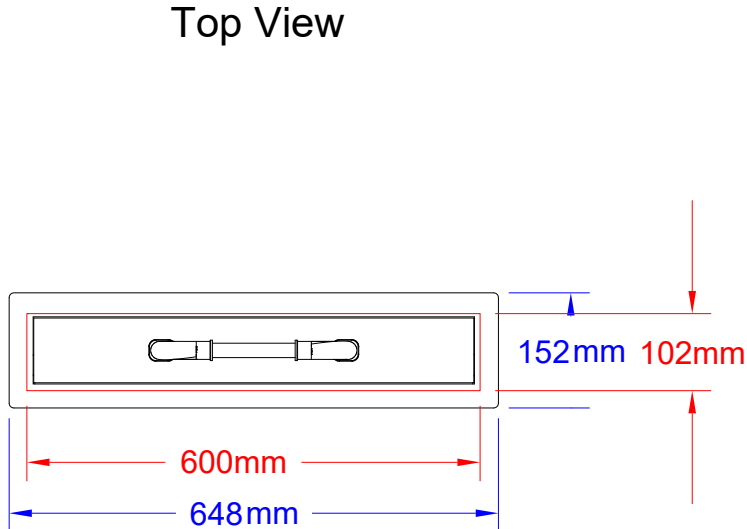
ITEMS: #09970  
SINGLE DRAWER



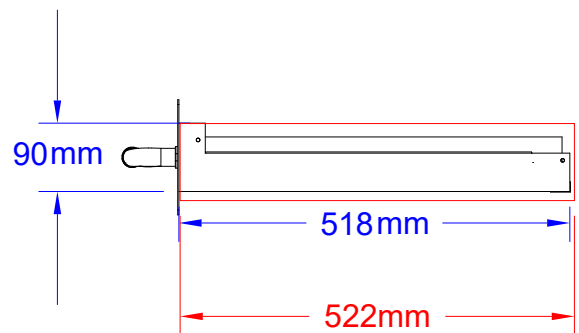
Top View



Isometric View



Front View



Side View

SPEC SHEET NOTES:

1. **CUTOUT DIMENSIONS: 600L X 522D X 102H**
2. SCALE: 1 :10 ( Printer page scaling none, do not use fit to printable area option )
3. REVISION: 07/2018